

PRESSE-ÉTOUPE LAITON

BRASS CABLE GLAND

PE BOULAY

CABLE GLAND BOULAY



Métrique

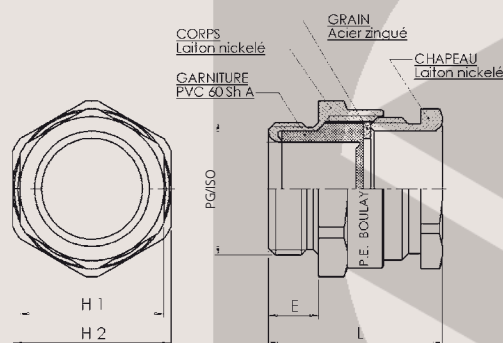
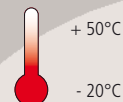
Filetage Threads	Capacité Clamping range	H1 mm	H2 mm	E mm	L mm	Référence Reference	Colisage Packing
M 12	3,0 - 6,0	12	14	5	18,0	C1212000	50
M 16	4,5 - 9,0	16	18	6	21,5	C1216000	50
M 20	8,0 - 13,0	20	22	6	23,5	C1220000	50
M 25	11,0 - 17,0	25	27	7	24,5	C1225000	20
M 32	16,0 - 23,0	32	34	7	24,5	C1232000	20
M 40	20,0 - 29,0	40	42	8	32,0	C1240000	20
M 50	28,0 - 38,0	50	52	10	35,0	C1250000	10
M 63	37,0 - 50,0	64	65	12	44,0	C1263000	5

MÉTRIQUE METRIC



- Matière :**
- Laiton
 - Garniture : PVC
- Caractéristique :**
- Filetage : EN 60423 (métrique) GUIDE UTE 68 312 (PG)
- Propriétés spécifiques :**
- Spécificité garniture obturée
- Application :**
- Machines et accessoires
 - Installation usine
- Material :**
- Brass
 - Packing ring : PVC
- Characteristics :**
- Threads : EN 60423 (metric) GUIDE UTE 68 312 (PG)
- Features :**
- Specific for sealed packing rings
- Application :**
- Machines and devices
 - Plant installations

IP 65



PG PG THREAD



PG

Filetage Threads	Capacité Clamping range	H1 mm	H2 mm	E mm	L mm	Référence Reference	Colisage Packing
PG 07	3,0 - 6,0	14	13	5	19,0	C0007108	50
PG 09	6,5 - 8,5	17	15	5	16,0	C0009102	50
PG 11	8,0 - 11,0	20	18	6	18,0	C0011105	50
PG 13	9,5 - 12,0	22	20	6	19,0	C0013109	50
PG 16	10,0 - 14,0	24	22	6	21,0	C0016100	25
PG 21	13,0 - 19,0	30	28	7	24,0	C0021104	20
PG 29	17,0 - 24,0	39	37	8	29,0	C0029100	15
PG 36	24,0 - 32,0	50	47	8	31,0	C0036108	10
PG 42	30,0 - 37,0	58	54	10	35,0	C0042109	10
PG 48	36,0 - 43,0	65	60	10	38,0	C0048101	10
PG 48 DIN	36,0 - 43,0	65	60	10	38,0	C0049108	10

* Écrou voir page 54 / Locknut page from 54
 * PE filetage long nous consulter / Long thread available on request
 * Aussi disponible en inox nous consulter / Also available in stainless steel on request

