

# AMPLIFICATEUR

## ENLARGER

### MÉTRIQUE METRIC

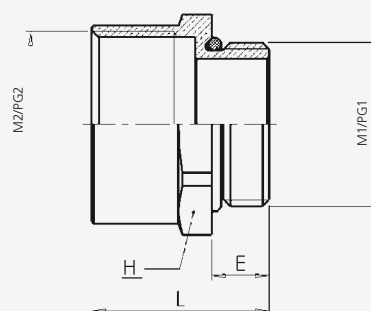


Métrique

| Filetage<br>Threads<br>M 1 | Filetage<br>Threads<br>M 2 | H<br>mm | E<br>mm | L<br>mm | Référence<br>Reference | Colisage<br>Packing |
|----------------------------|----------------------------|---------|---------|---------|------------------------|---------------------|
| M 10                       | M 12                       | 14      | 7       | 19      | D5710121               | 50                  |
| M 12                       | M 16                       | 19      | 7       | 19      | D5712161               | 50                  |
| M 16                       | M 20                       | 22      | 7       | 19      | D5716201               | 50                  |
| M 20                       | M 25                       | 28      | 7       | 20      | D5720251               | 50                  |
| M 25                       | M 32                       | 36      | 8       | 21,5    | D5725321               | 20                  |
| M 32                       | M 40                       | 42      | 8,5     | 22      | D5732401               | 20                  |
| M 40                       | M 50                       | 52      | 8,5     | 23      | D5740501               | 20                  |
| M 50                       | M 63                       | 65      | 9,5     | 25      | D5750631               | 10                  |
| M 63                       | M 75                       | 80      | 10,5    | 27,5    | D5763751               | 5                   |



- Matière :**
- Laiton
- Caractéristique :**
- Filetage : EN 60 423 (métrique)  
GUIDE UTE 68312 (PG)
- Propriétés spécifiques :**
- Revêtement nickelé
  - IP68 avec joint (en option)
- Material :**
- Brass
- Characteristics :**
- Thread : EN 60 423 (metric)  
GUIDE UTE 68312 (PG)
- Features :**
- Nickel plated
  - IP68 with thread sealing (option)



### PG PG THREAD



PG

| Filetage<br>Threads<br>PG 1 | Filetage<br>Threads<br>PG 2 | H<br>mm | E<br>mm | L<br>mm | Référence<br>Reference | Colisage<br>Packing |
|-----------------------------|-----------------------------|---------|---------|---------|------------------------|---------------------|
| PG 07                       | PG 09                       | 17      | 5       | 12,5    | D5071104               | 50                  |
| PG 09                       | PG 11                       | 20      | 5       | 13      | D5091102               | 50                  |
| PG 09                       | PG 13                       | 22      | 5,5     | 14      | D5092109               | 50                  |
| PG 11                       | PG 13                       | 22      | 6       | 14      | D5111107               | 50                  |
| PG 11                       | PG 16                       | 24      | 6       | 14      | D5112104               | 50                  |
| PG 11                       | PG 21                       | 30      | 6       | 15      | D5113101               | 50                  |
| PG 13                       | PG 16                       | 24      | 6       | 14      | D5131105               | 50                  |
| PG 13                       | PG 21                       | 30      | 6       | 15      | D5132102               | 50                  |
| PG 16                       | PG 21                       | 30      | 6       | 15      | D5161102               | 50                  |
| PG 21                       | PG 29                       | 39      | 7       | 16      | D5211104               | 50                  |
| PG 29                       | PG 36                       | 50      | 8       | 19      | D5291106               | 50                  |
| PG 36                       | PG 42                       | 64      | 8       | 22      | D5361106               | 25                  |
| PG 36                       | PG 48 NFC                   | 64      | 8       | 24      | D5362103               | 25                  |
| PG 36                       | PG 48 DIN                   | 64      | 8       | 24      | D5363100               | 25                  |
| PG 42                       | PG 48 NFC                   | 64      | 10      | 26      | D5421107               | 25                  |
| PG 42                       | PG 48 DIN                   | 64      | 10      | 26      | D5422104               | 1                   |

\* Aussi disponible en inox nous consulter / Also available in stainless steel on request