

PE WADI-TEC MULTIFILAIRE PG

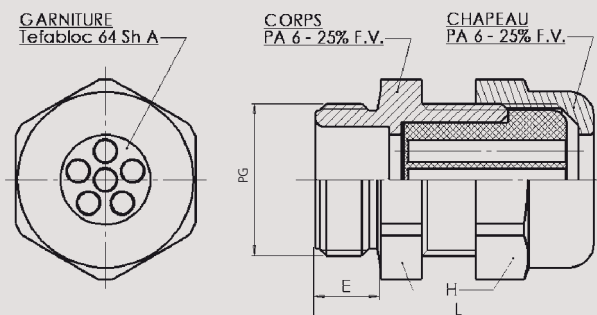
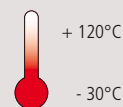
CABLE GLAND WADI-TEC

with multi-holed seal PG thread

- Matière :**
- Polyamide 6 chargé 25% fibre de verre
 - Garniture : Tefabloc
- Caractéristique :**
- Filetage : GUIDE UTE 68310
GUIDE UTE 68311
- Propriétés spécifiques :**
- Exempt d'halogène
 - PE permettant le passage de plusieurs câbles
 - Spécificité garniture obturée
- Application :**
- Machines et accessoires
 - Installation usine
- Material :**
- Polyamid 6 glassfiber 25% reinforced
 - Seal: Tefabloc
- Characteristics :**
- Threads : GUIDE UTE 68310
GUIDE UTE 68311
- Features :**
- Free of halogen
 - Cable gland allowing the passage of several cables.
 - Specific for sealed packing rings
- Application :**
- Machines and devices
 - Plant installations

IP 68

PA6 Fv



| Filetage Threads | Nombre d'entrées Number of entries | Ø de passage Ø of passage | H mm | E mm | Référence Reference | | Colisage Packing |
|---------------------|---|------------------------------|---------|---------|------------------------|----------|---------------------|
| | | | | | RAL 7035 | RAL 9005 | |
| PG 07 | 1 | 4 | 15 | 8 | Z6700700 | Z7700700 | 50 |
| PG 07 | 1 | 5 | 15 | 8 | Z6700701 | Z7700701 | 50 |
| PG 09 | 1 | 5 | 19 | 8 | Z6700900 | Z7700900 | 50 |
| PG 09 | 2 | 1 | 19 | 8 | Z6700901 | Z7700901 | 50 |
| PG 09 | 2 | 3 | 19 | 8 | Z6700902 | Z7700902 | 50 |
| PG 09 | 2 | 3,5 | 19 | 8 | Z6700903 | Z7700903 | 50 |
| PG 09 | 2 | 4 | 19 | 8 | Z6700904 | Z7700904 | 50 |
| PG 09 | 3 | 3 | 19 | 8 | Z6700905 | Z7700905 | 50 |
| PG 09 | 4 | 3 | 22 | 8 | Z6700906 | Z7700906 | 50 |
| PG 09 | 4 | 4 | 22 | 8 | Z6700907 | Z7700907 | 50 |
| PG 11 | 2 | 2,3 | 22 | 8 | Z6701103 | Z7701103 | 50 |
| PG 11 | 2 | 3 | 22 | 8 | Z6701104 | Z7701104 | 50 |
| PG 11 | 2 | 3,5 | 22 | 8 | Z6701100 | Z7701100 | 50 |
| PG 11 | 2 | 4 | 22 | 8 | Z6701105 | Z7701105 | 50 |
| PG 11 | 2 | 5 | 22 | 8 | Z6701102 | Z7701102 | 50 |
| PG 11 | 2 | 6 | 27 | 8 | Z6701120 | Z7701120 | 50 |
| PG 11 | 3 | 3 | 22 | 8 | Z6701106 | Z7701106 | 50 |
| PG 11 | 3 | 3,5 | 22 | 8 | Z6701101 | Z7701101 | 50 |
| PG 11 | 3 | 4 | 22 | 8 | Z6701107 | Z7701107 | 50 |
| PG 11 | 3 | 5 | 27 | 8 | Z6701121 | Z7701121 | 50 |
| PG 11 | 3 | 5,3 | 27 | 8 | Z6701108 | Z7701108 | 50 |
| PG 11 | 4 | 1,5 | 22 | 8 | Z6701109 | Z7701109 | 50 |
| PG 11 | 4 | 3,5 | 22 | 8 | Z6701110 | Z7701110 | 50 |
| PG 11 | 6 | 2 | 22 | 8 | Z6701111 | Z7701111 | 50 |

* PE disponible en RAL 7001 / cable gland in RAL 7001 available on request

* Ecrou voir page 24 / Locknut page from 24