

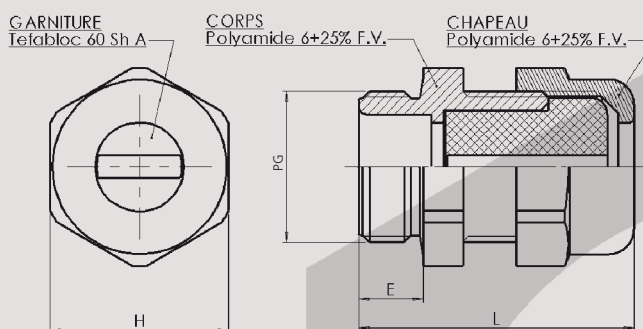
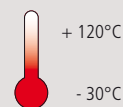
PRESSE-ÉTOUPE PLASTIQUE PLASTIC CABLE GLANDS



- Matière :**
- Polyamide 6 chargé 25% fibre de verre
 - Garniture : Tefabloc
- Caractéristique :**
- Filetage : GUIDE UTE C 68311
- Propriétés spécifiques :**
- Exempt d'halogène
 - PE pour câbles plats à section ovale, rectangulaire et arrondie
 - Utilisation en automatisme ou régulation
- Application :**
- Machines et accessoires
 - Installation usine
- Material :**
- Polyamid 6 glassfiber 25% reinforced
 - Seal: Tefabloc
- Characteristics :**
- Threads : GUIDE UTE C 68311
 - Free of halogen
 - Cable gland with seal for cables, round angular oval or circo
 - Application: measuring and control engineering
- Features :**
- Machines and devices
 - Plant installations

PE WADI-TEC CABLES PLATS PG

CABLE GLAND WADI-TEC
with seal for flat cables PG thread



PG

Filetage Threads	H x L mm	H mm	E mm	Type de Garniture Type of set	Référence Reference		Colisage Packing
					RAL 7035	RAL 9005	
PG 09	3,5 x 5,5	19	8	arrondie	Z6600900	Z7600900	50
PG 11	2,8 x 10,5	22	8	arrondie	Z6601100	Z7601100	50
PG 11	3,5 x 9,0	22	8	arrondie	Z6601110	Z7601110	50
PG 11	4,0 x 6,0	22	8	arrondie	Z6601120	Z7601120	50
PG 13	3,0 x 12,0	24	9	arrondie	Z6601300	Z7601300	50
PG 13	5,0 x 11,0	24	9	arrondie	Z6601310	Z7601310	50
PG 13	5,0 x 8,0	24	9	ovale	Z6601320	Z7601320	50
PG 13	5,0 x 12,0	24	9	ovale	Z6601330	Z7601330	50
PG 16	5,0 x 12,0	27	10	arrondie	Z6601600	Z7601600	50
PG 16	7,5 x 14,0	27	10	arrondie	Z6601620	Z7601620	50
PG 16	5,0 x 12,0	27	10	ovale	Z6601630	Z7601630	50
PG 16	5,5 x 8,5	27	10	ovale	Z6601640	Z7601640	50
PG 16	7,0 x 14,0	27	10	ovale	Z6601650	Z7601650	50
PG 16	8,0 x 12,0	27	10	rectang.	Z6601680	Z7601680	50
PG 16	5,0 x 16,0	33	10	arrondie	Z6601610	Z7601610	50
PG 16	5,0 x 15,0	33	10	ovale	Z6601660	Z7601660	50
PG 16	6,0 x 15,0	33	10	ovale	Z6601670	Z7601670	50
PG 21	5,0 x 17,0	33	11	arrondie	Z6602100	Z7602100	20
PG 21	7,0 x 18,0	33	11	arrondie	Z6602110	Z7602110	20
PG 21	9,0 x 15,0	33	11	arrondie	Z6602120	Z7602120	20
PG 21	5,0 x 16,0	33	11	ovale	Z6602130	Z7602130	20
PG 21	7,0 x 16,5	33	11	ovale	Z6602140	Z7602140	20

* PE disponible en RAL 7001 / cable gland in RAL 7001 available on request
* Écrou voir page 24 / Locknut page from 24



Spécialiste Industrie Bâtiment